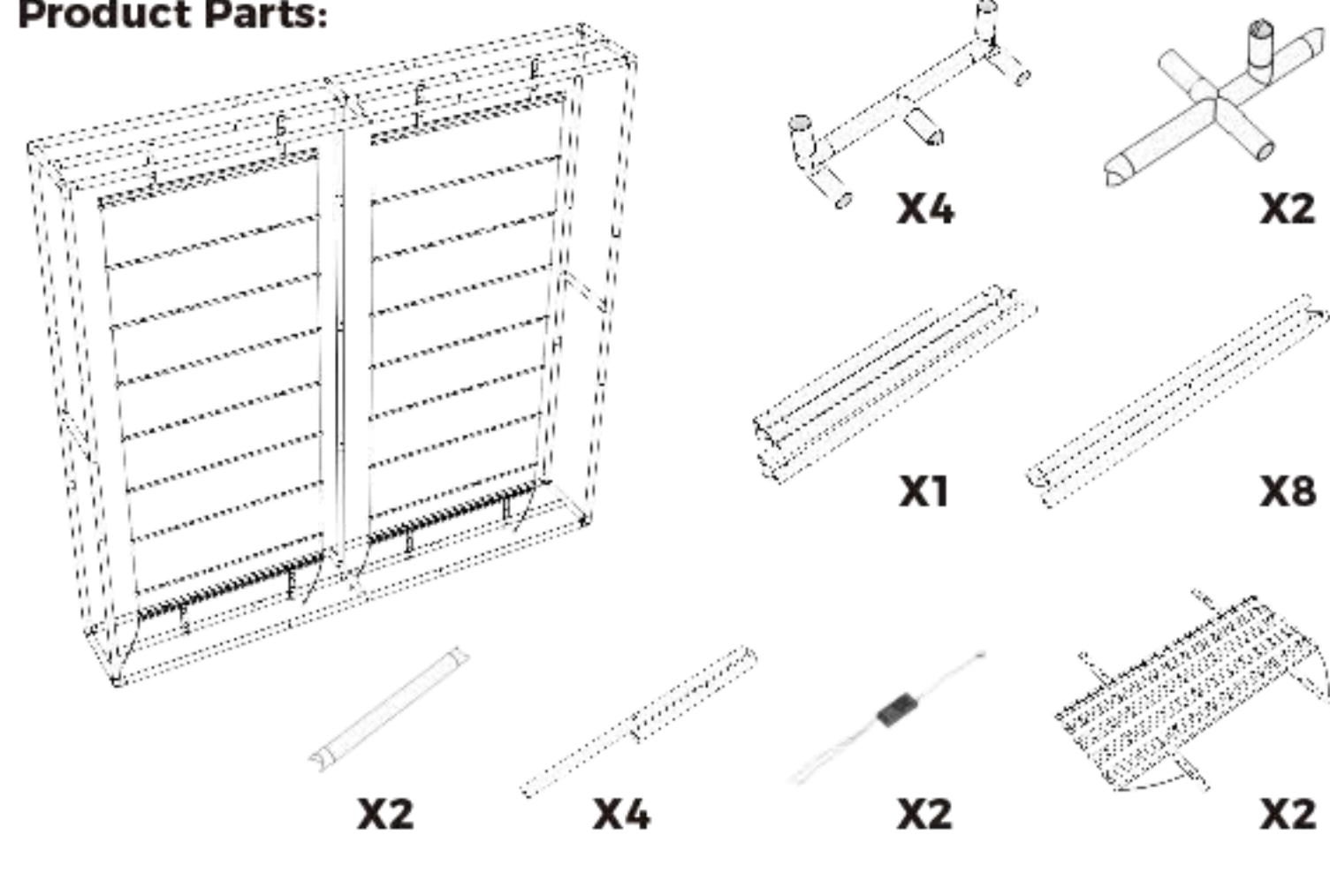
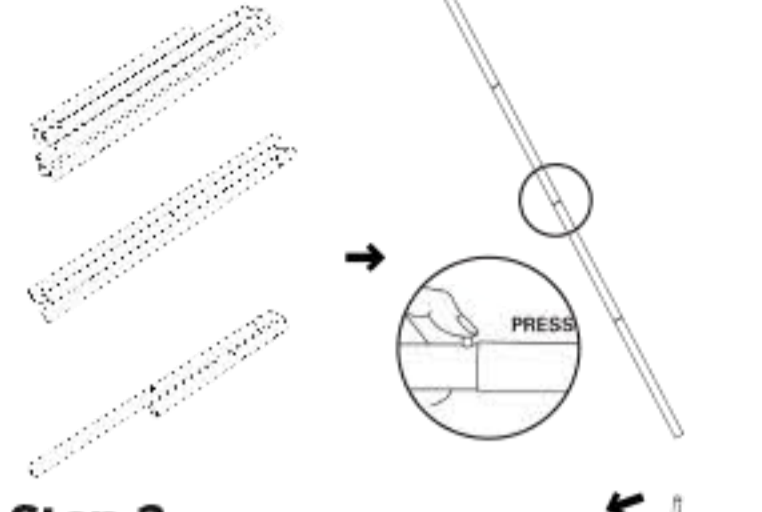


3D 3-Wall Enclosure Instruction Part 1 - 3D Wall

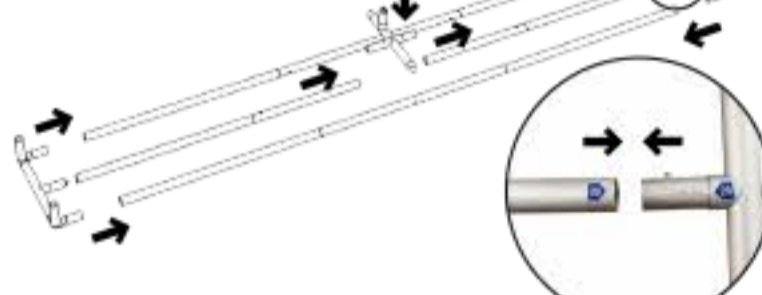
Product Parts:



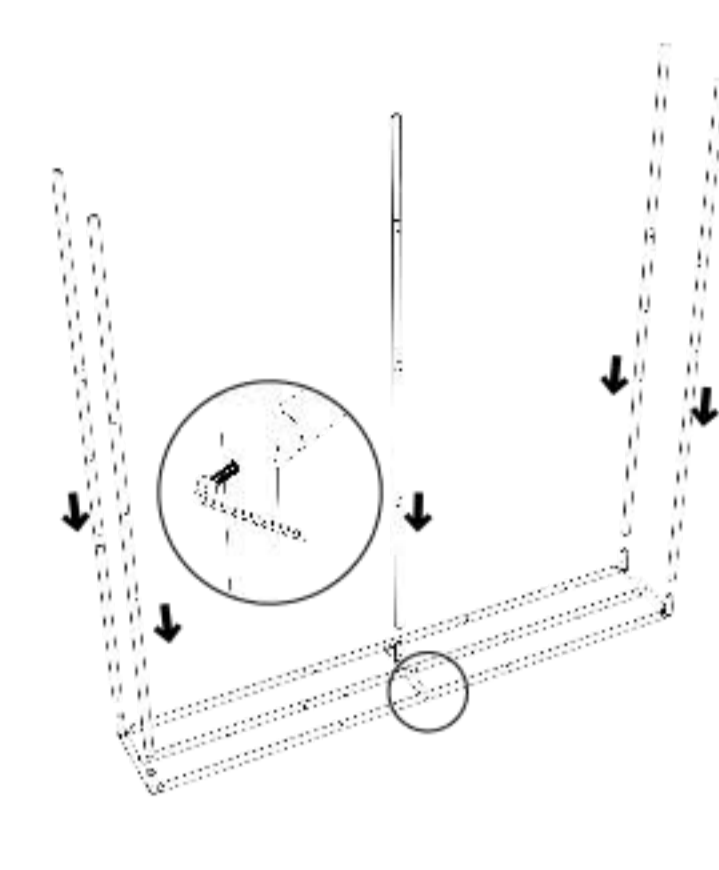
Step 1



Step 2



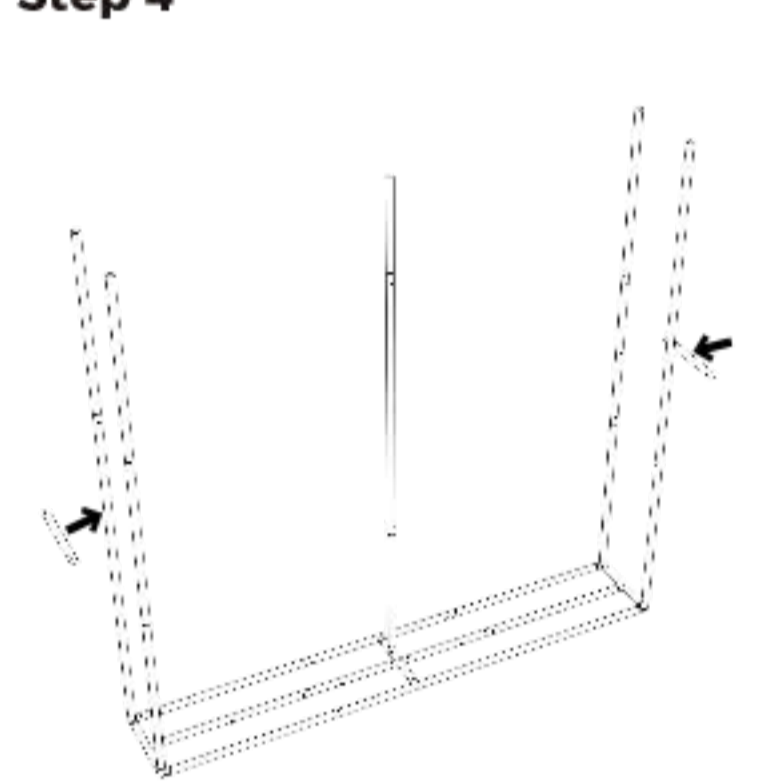
Step 3



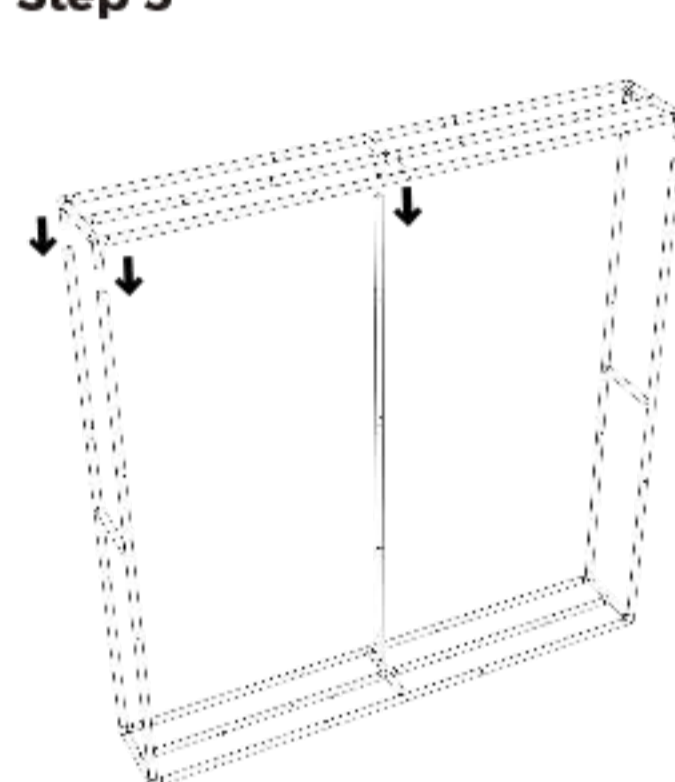
CAUTION:
PLEASE READ THE INSTRUCTIONS BEFORE INSTALLING PRODUCT

3D 3-Wall Enclosure Instruction Part 1 - 3D Wall

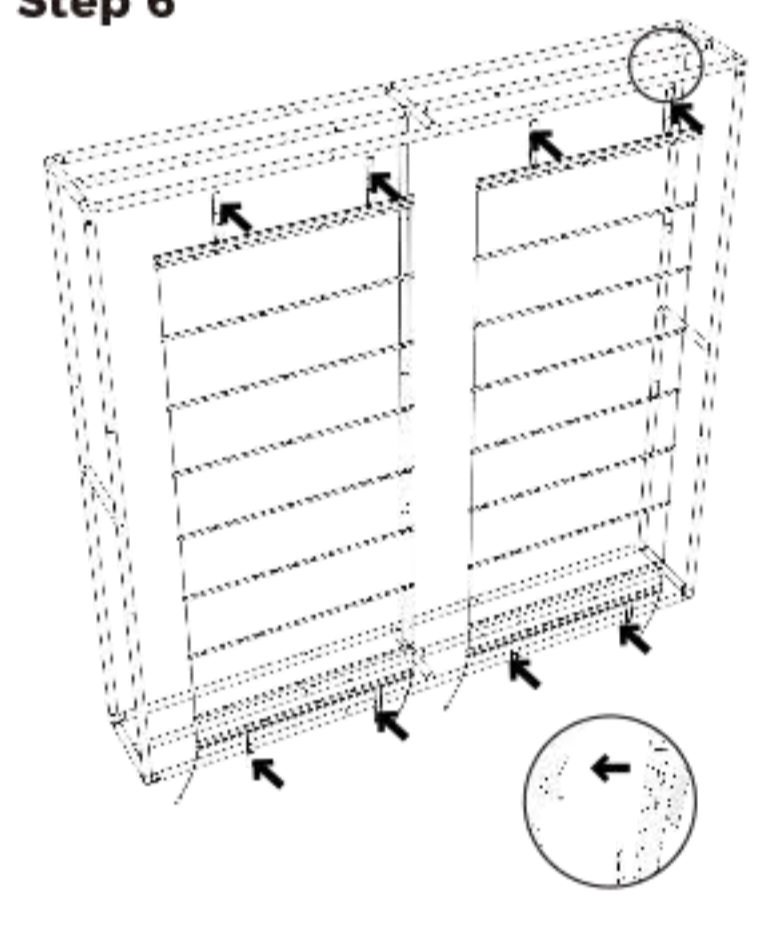
Step 4



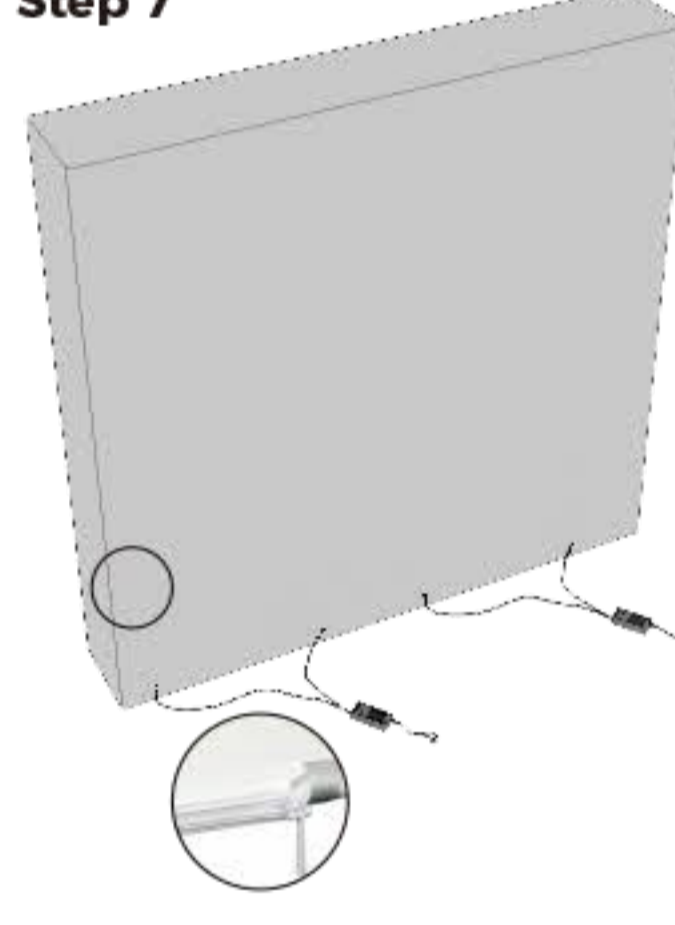
Step 5



Step 6



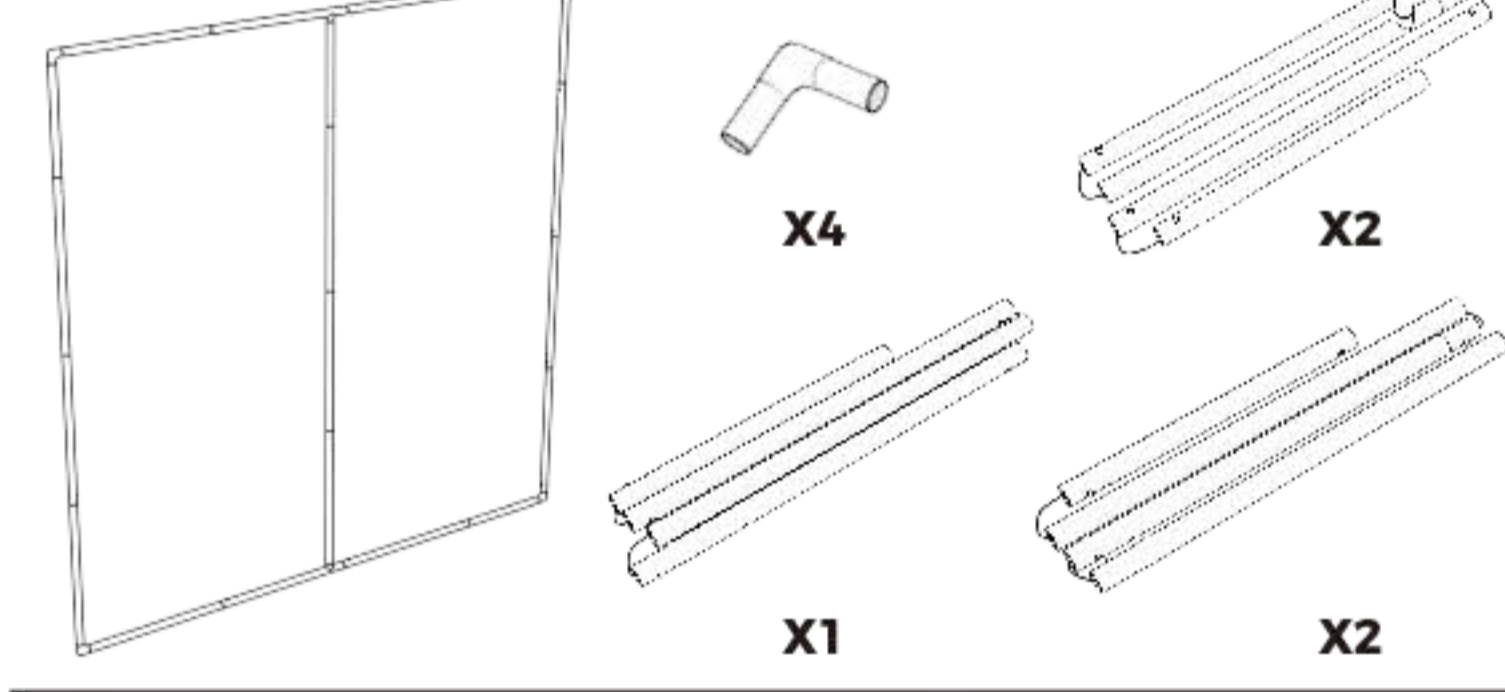
Step 7



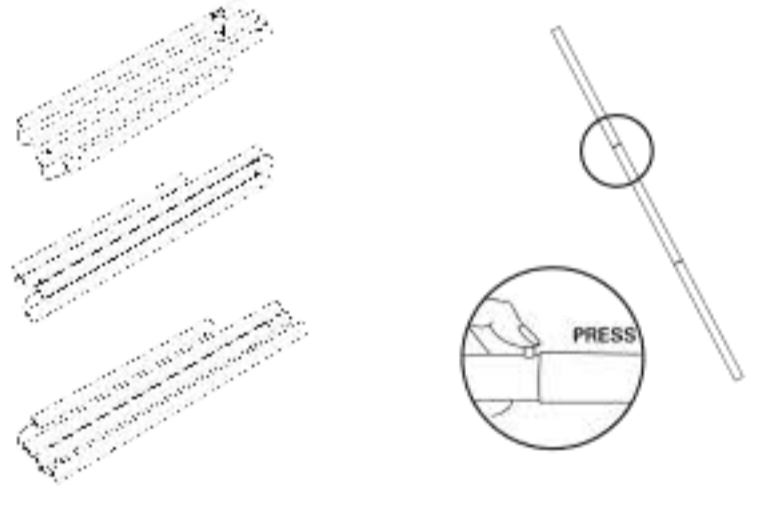
CAUTION:
PLEASE READ THE INSTRUCTIONS BEFORE INSTALLING PRODUCT

3D 3-Wall Enclosure Instruction Part 2 - Middle Stand

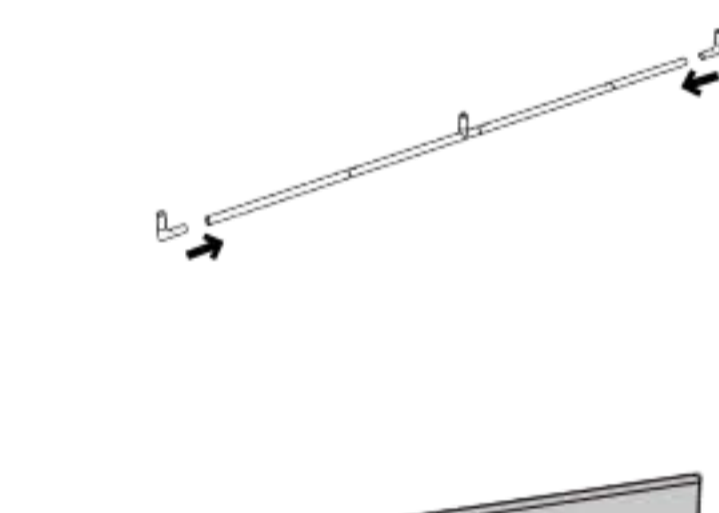
Product Parts:



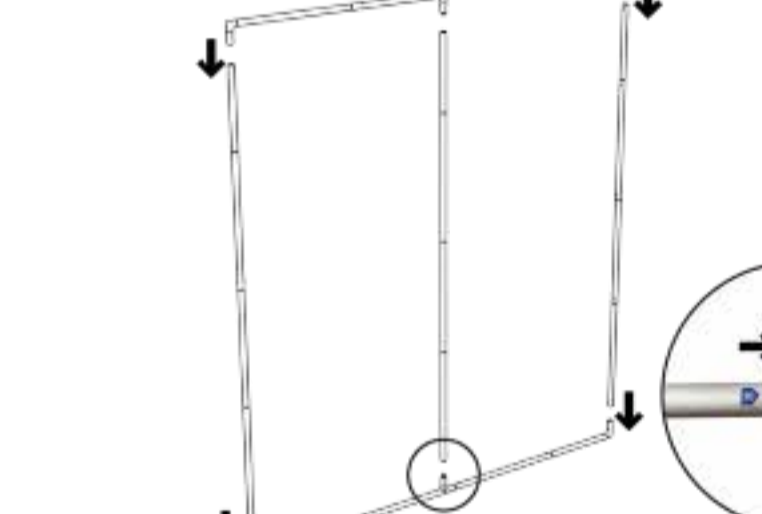
Step 1



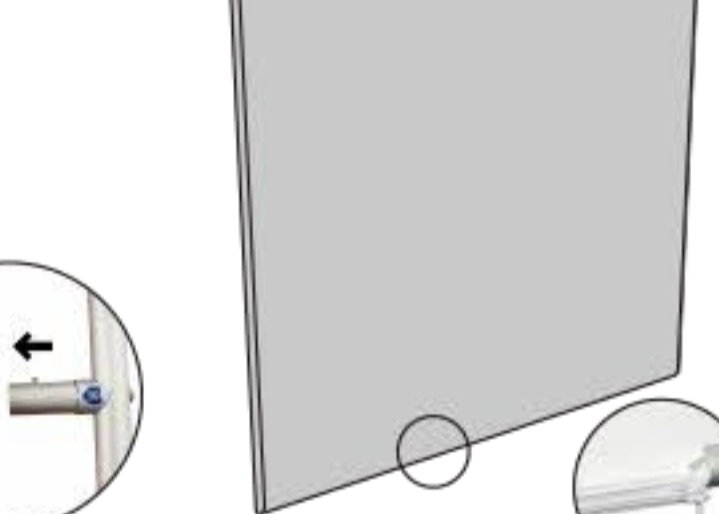
Step 2



Step 3



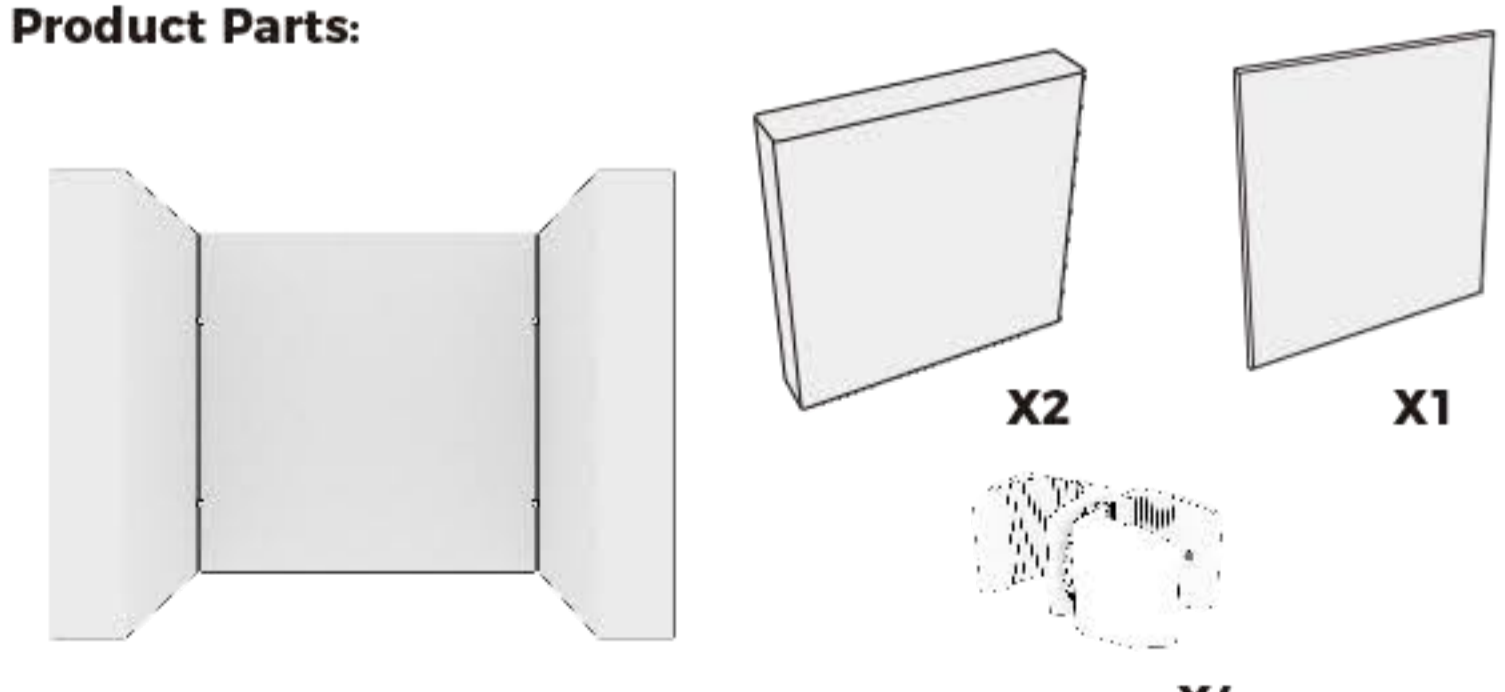
Step 4



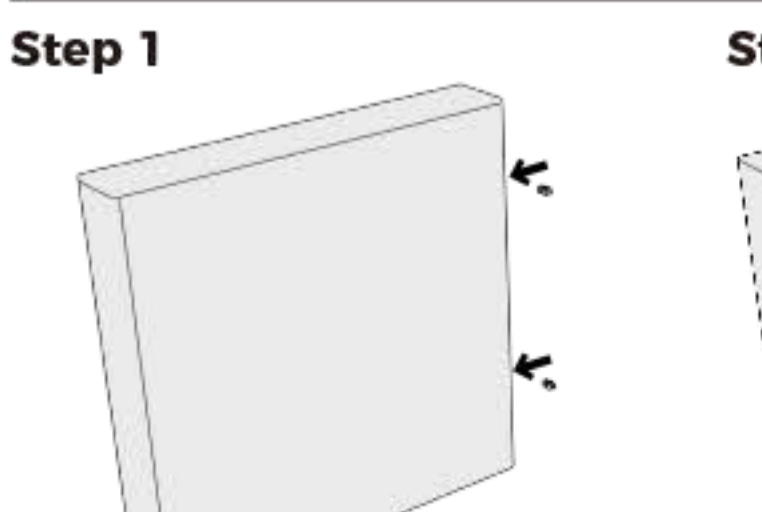
CAUTION:
PLEASE READ THE INSTRUCTIONS BEFORE INSTALLING PRODUCT

3D 3-Wall Enclosure Instruction Part 3 - Assemble into an Enclosure

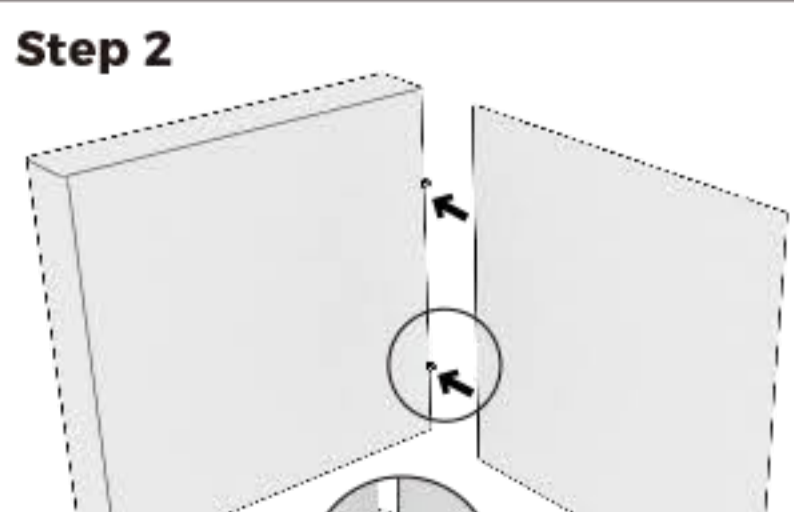
Product Parts:



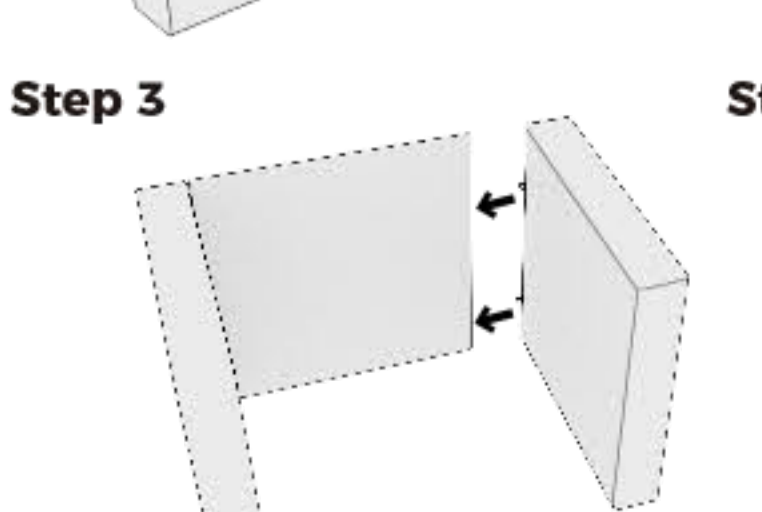
Step 1



Step 2



Step 3



Step 4



CAUTION:
PLEASE READ THE INSTRUCTIONS BEFORE INSTALLING PRODUCT